
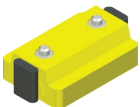



- Bar height: 41 mm
- Load capacity: 140 kg/m
- Galvanized steel
(stainless steel version where indicated)
- Suitable for flat and round cables

LINE 41

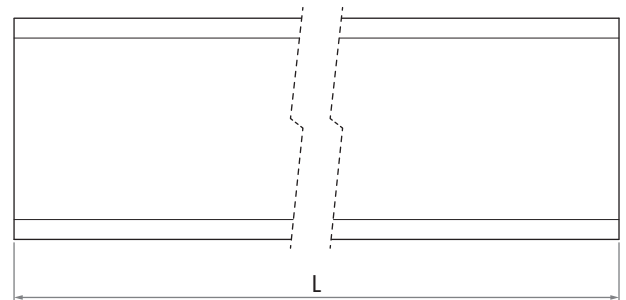
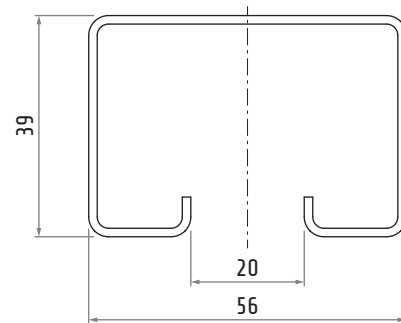
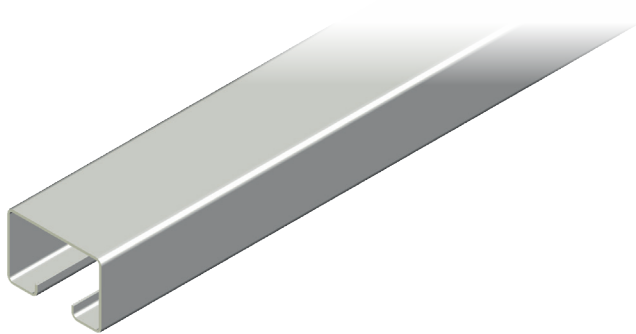
FESTOON SYSTEM

	30602001/4 30602061 - stainless steel C-rail bar		30602044 Swinging trolley for round cable (Ø 10...25 mm)
	30602002 30602065 - stainless steel Joint unit		30607025 Additional saddle for swinging trolley for round cable (Ø 10...25 mm)
	30602034 30602062 - stainless steel Double joint unit		30602045 Swinging trolley for round cable (Ø 26...40 mm)
	30602003 30602063 - stainless steel Wall fixing bracket		30607026 Additional saddle for swinging trolley for round cable (Ø 26...40 mm)
	30602004 Ceiling fixing bracket		30602071 30602066 - stainless steel Head clamp (saddle: 55 mm, excursion: 30 mm)
	30602038 30602068 - stainless steel Line end stop		30602072 Head clamp (saddle: 76 mm, excursion: 30 mm)
	30602091 30602067 - stainless steel Towing trolley for flat cable (saddle: 68 mm, excursion: 30 mm)		30602020 Trolley without plug / socket (saddle: 68 mm, excursion: 30 mm)
	30602086 Trolley for flat cable (saddle: 68 mm, excursion: 30 mm)		30602041 Trolley with 16 poles socket (saddle: 68 mm, excursion: 30 mm)
	30602069 30602064 - stainless steel Trolley for flat cable (saddle: 55 mm, excursion: 25 mm)		30602042 Trolley with 24 poles socket (saddle: 68 mm, excursion: 30 mm)
	30602070 Trolley for flat cable (saddle: 76 mm, excursion: 25 mm)		30602043 Trolley without plug / socket (saddle: 68 mm, excursion: 30 mm)



30602001/4

C-RAIL BAR



Material		galvanized steel
Standard length	L	4 m
Thickness		1.5 mm
Weight		~2.0 kg/m

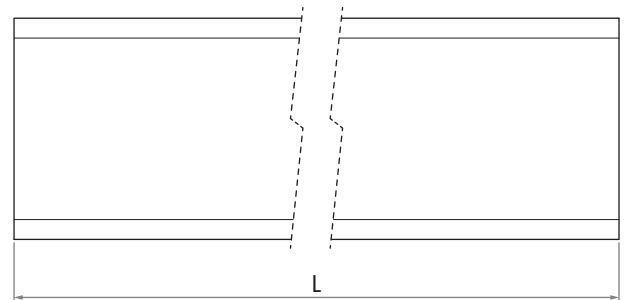
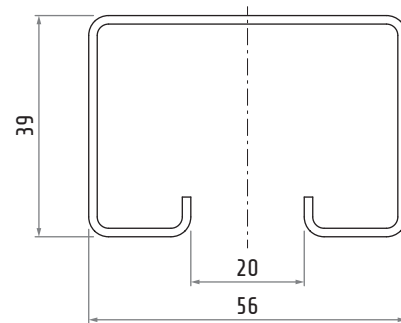
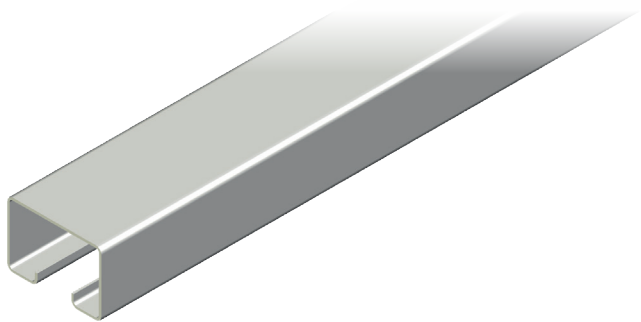
Standard 90° curve		30602054
Radius		1500 mm
Weight		~1.2 kg

Custom curved bars available on request
(minimum radius 1500 mm)



30602061

INOX C-RAIL BAR

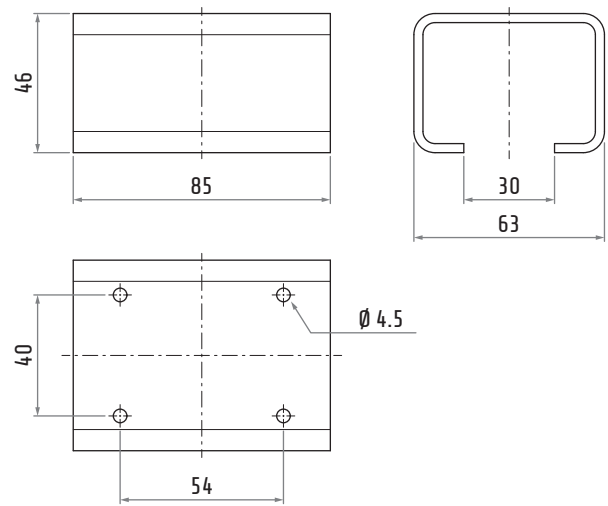
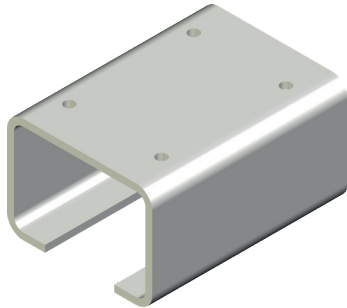


Material		stainless steel
Standard length	L	3 m
Thickness		1.5 mm
Weight		~1.7 kg/m



30602002

JOINT UNIT

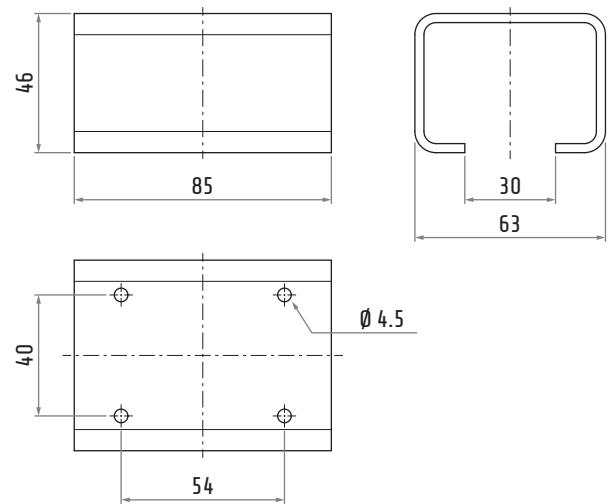
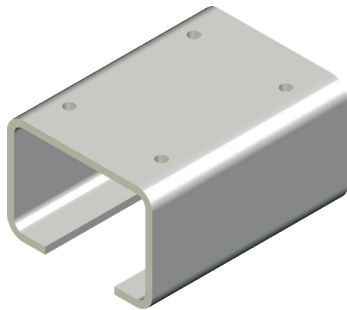


Material	galvanized steel
Thickness	3 mm
Weight	~335 g



30602065

INOX JOINT UNIT

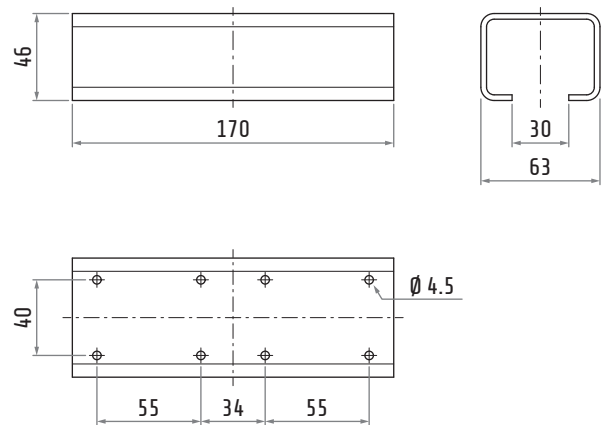
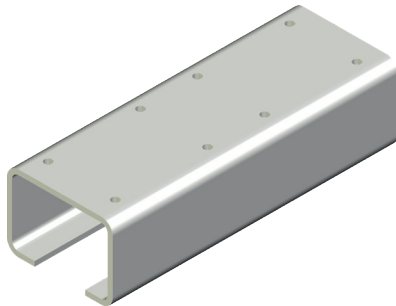


Material	stainless steel
Thickness	3 mm
Weight	~335 g



30602034

DOUBLE JOINT UNIT

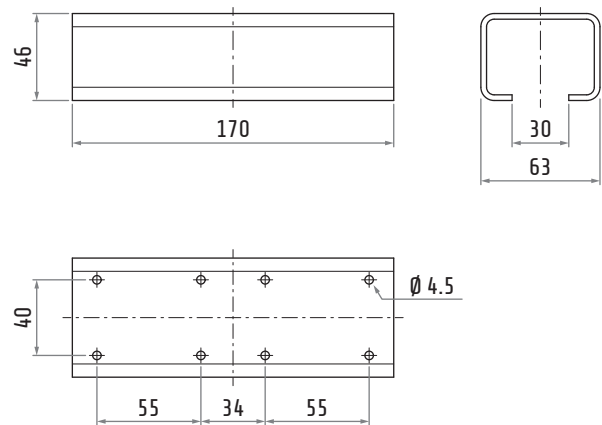
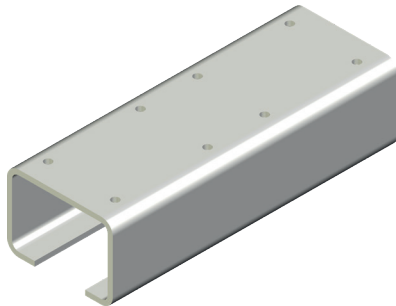


Material	galvanized steel
Thickness	3 mm
Weight	~680 g



30602062

INOX DOUBLE JOINT UNIT

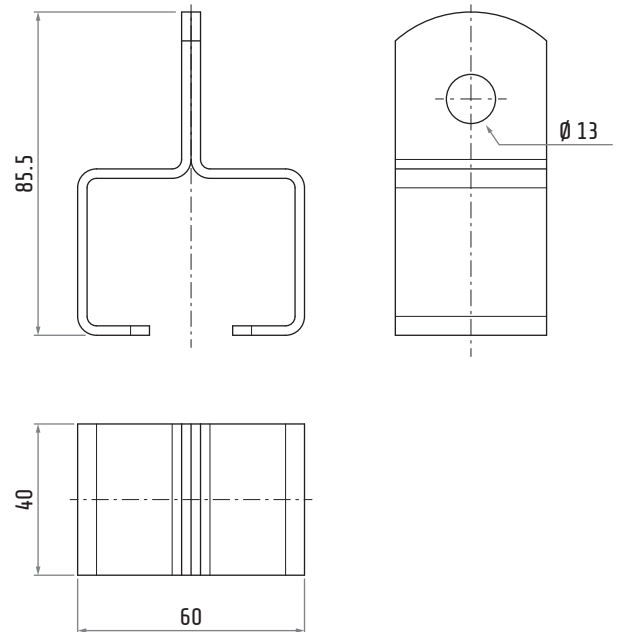
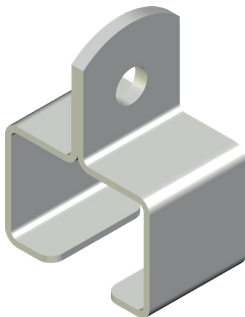


Material	stainless steel
Thickness	3 mm
Weight	~680 g



30602003

WALL FIXING BRACKET

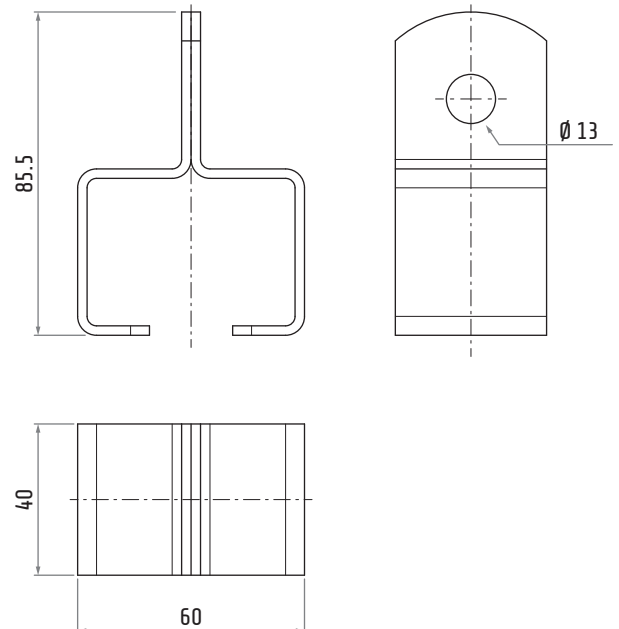
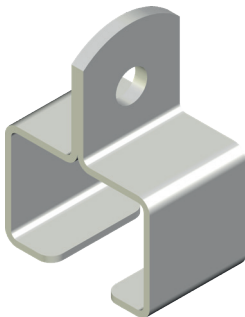


Material	galvanized steel
Thickness	2.5 mm
Weight	~180 g



30602063

INOX WALL FIXING BRACKET

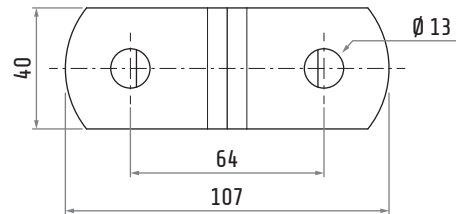
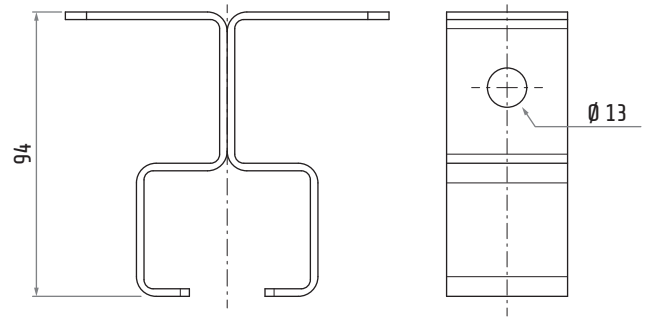
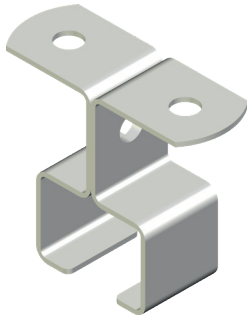


Material	stainless steel
Thickness	2.5 mm
Weight	~180 g



30602004

CEILING FIXING BRACKET

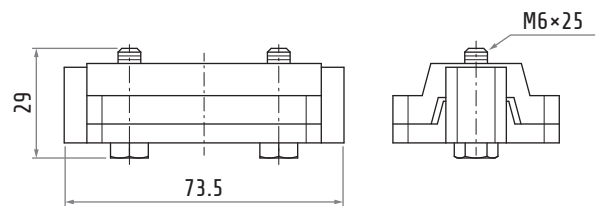
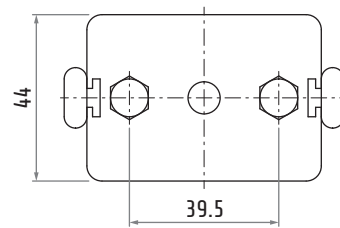
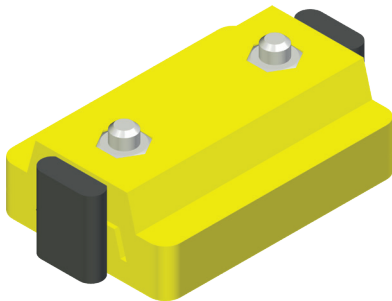


Material	galvanized steel
Weight	~260 g



30602038

LINE END STOP

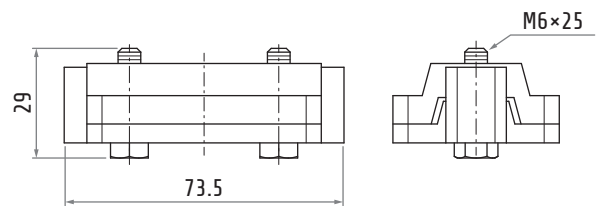
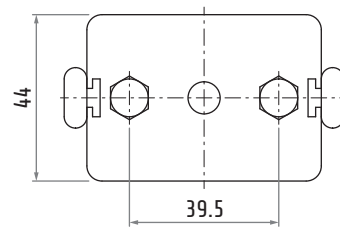
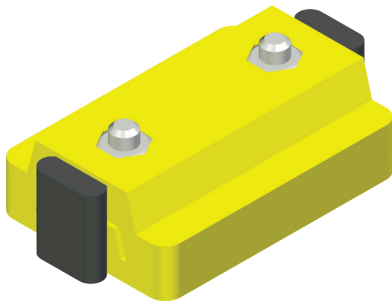


Material	body	nylon
	hardware	galvanized steel
Weight	~70 g	



30602068

INOX LINE END STOP

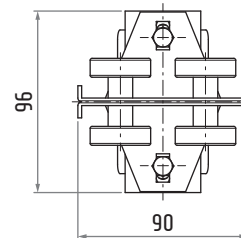
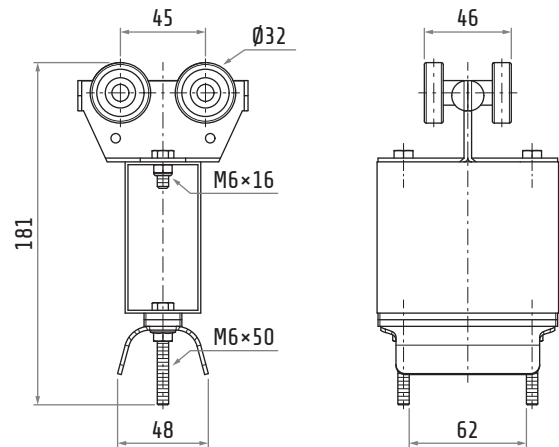
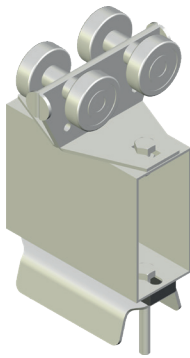


Material	body	nylon
	hardware	stainless steel
Weight	~65 g	



30602091

TOWING TROLLEY FOR FLAT CABLE

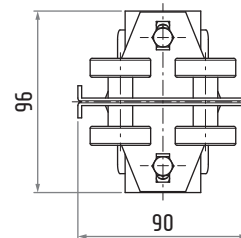
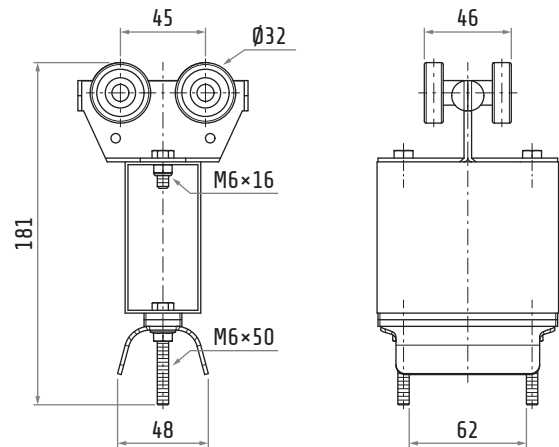
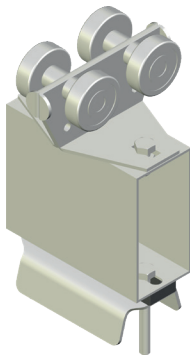


Material	body	galvanized steel
	hardware	galvanized steel
	rollers	covered ball bearings
	separator	thermoplastic
Weight		~870 g
Saddle		68 mm
Excursion		30 mm



30602067

INOX TOWING TROLLEY FOR FLAT CABLE

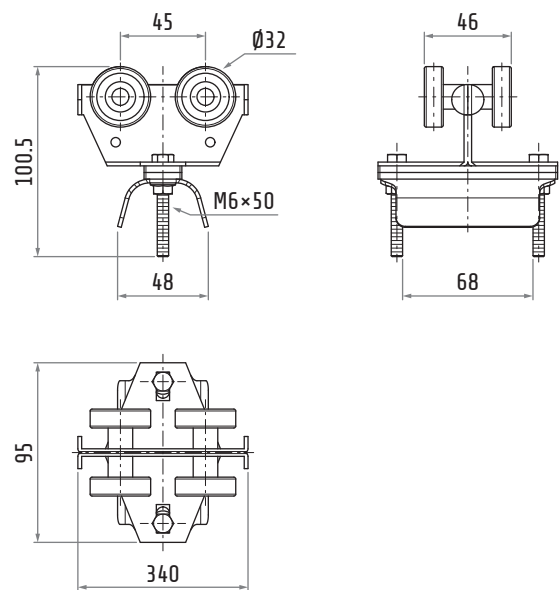
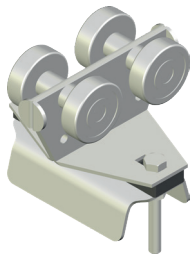


Material	body	stainless steel
	hardware	stainless steel
	rollers	covered ball bearings
	separator	thermoplastic
Weight		~650 g
Saddle		68 mm
Excursion		30 mm



30602086

TROLLEY FOR FLAT CABLE

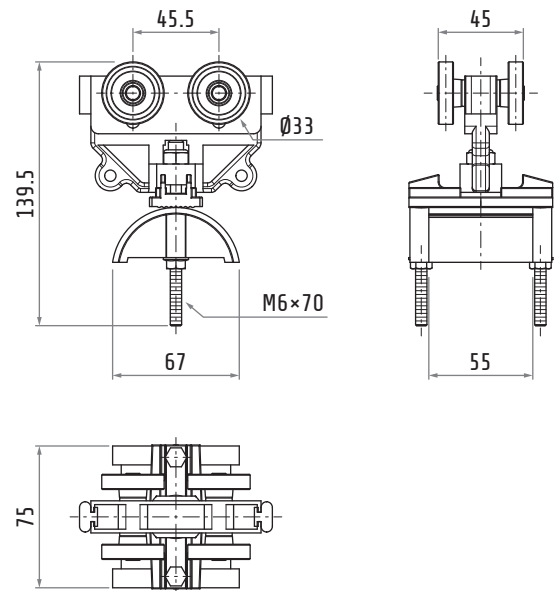


Material	body hardware rollers separator	galvanized steel galvanized steel covered ball bearings thermoplastic
Weight		~565 g
Saddle		68 mm
Excursion		30 mm



30602069

TROLLEY FOR FLAT CABLE

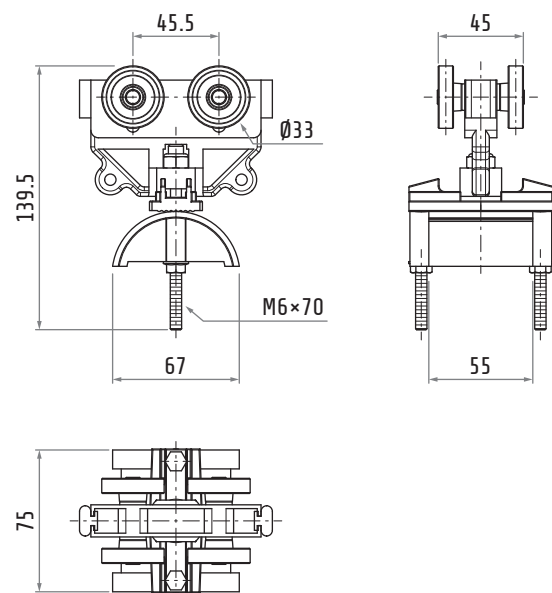


Material	body hardware rollers	nylon galvanized steel covered ball bearings
Weight		~220 g
Saddle		55 mm
Excursion		25 mm



30602064

INOX TROLLEY FOR FLAT CABLE

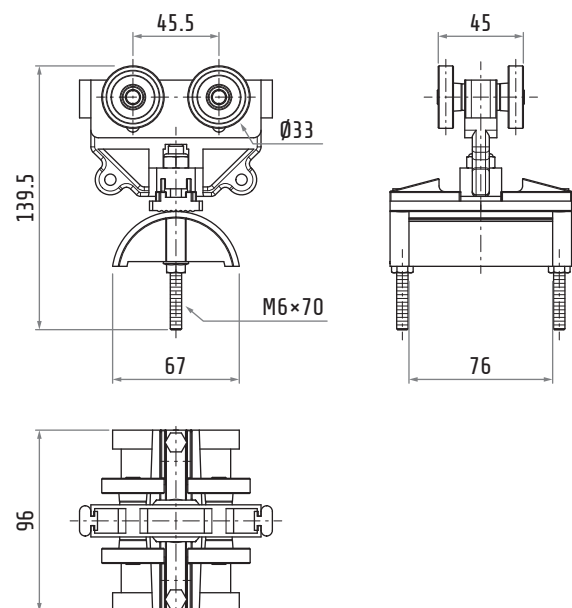


Material	body hardware rollers	nylon stainless steel covered ball bearings
Weight		~220 g
Saddle		55 mm
Excursion		25 mm



30602070

TROLLEY FOR FLAT CABLE

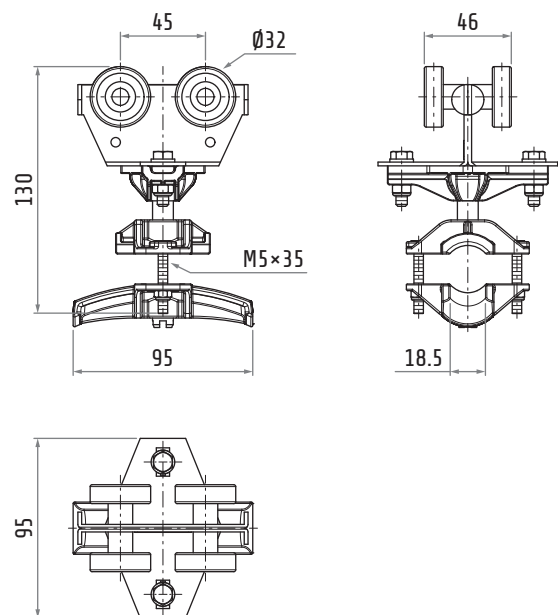


Material	body hardware rollers	nylon galvanized steel covered ball bearings
Weight		~245 g
Saddle		76 mm
Excursion		25 mm



30602044

SWINGING TROLLEY FOR ROUND CABLE

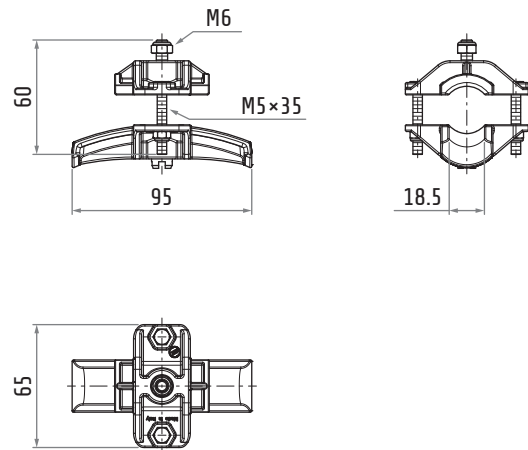


Material	body	galvanized steel
	hardware	galvanized steel
	rollers	covered ball bearings
	cable support	nylon
Weight		~570 g
Cable		\varnothing 10...25 mm



30607025

ADDITIONAL SADDLE FOR SWINGING TROLLEY FOR ROUND CABLE

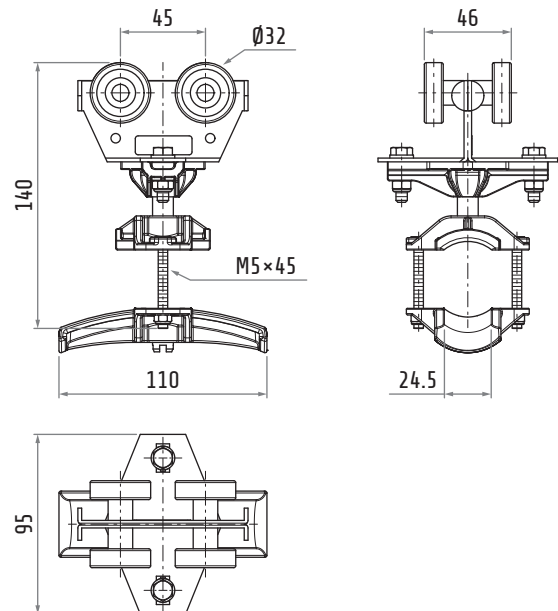
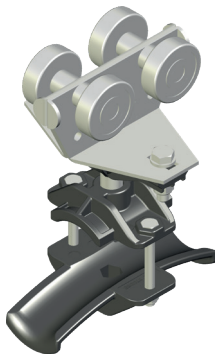


Material	body hardware	nylon galvanized steel
Weight		~80 g
Cable		Ø 10...25 mm



30602045

SWINGING TROLLEY FOR ROUND CABLE

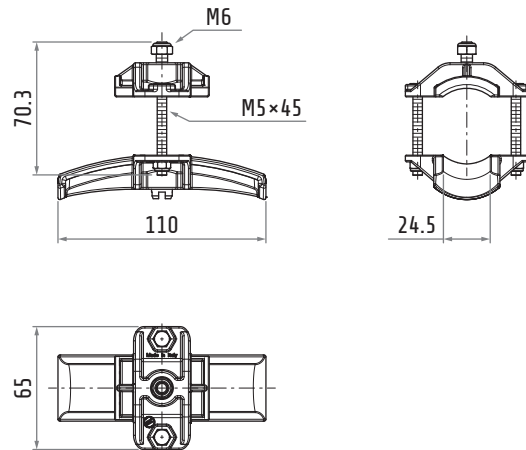


Material	body hardware rollers cable support	galvanized steel galvanized steel covered ball bearings nylon
Weight		~570 g
Cable		$\varnothing 26...40$ mm



30607026

ADDITIONAL SADDLE FOR SWINGING TROLLEY FOR ROUND CABLE

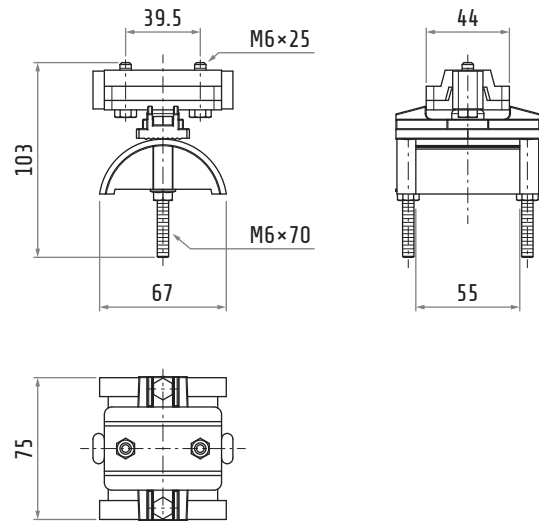
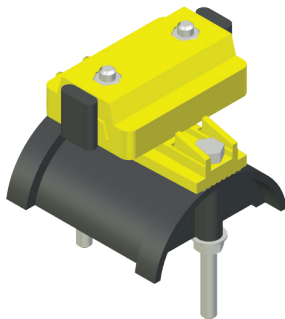


Material	body	nylon
	hardware	galvanized steel
Weight	~80 g	
Cable	Ø 26...40 mm	



30602071

HEAD CLAMP

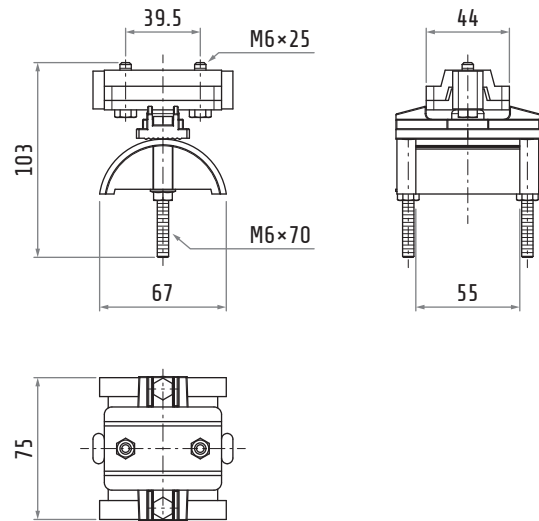
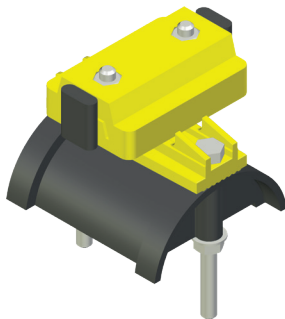


Material	body	nylon
	hardware	galvanized steel
Weight		~170 g
Saddle		55 mm
Excursion		30 mm



30602066

INOX HEAD CLAMP

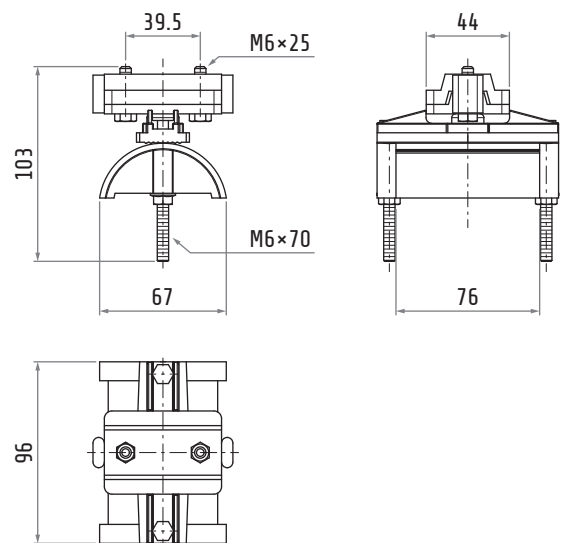
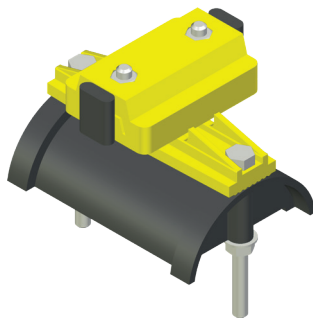


Material	body	nylon
	hardware	stainless steel
Weight	~170 g	
Saddle	55 mm	
Excursion	30 mm	



30602072

HEAD CLAMP

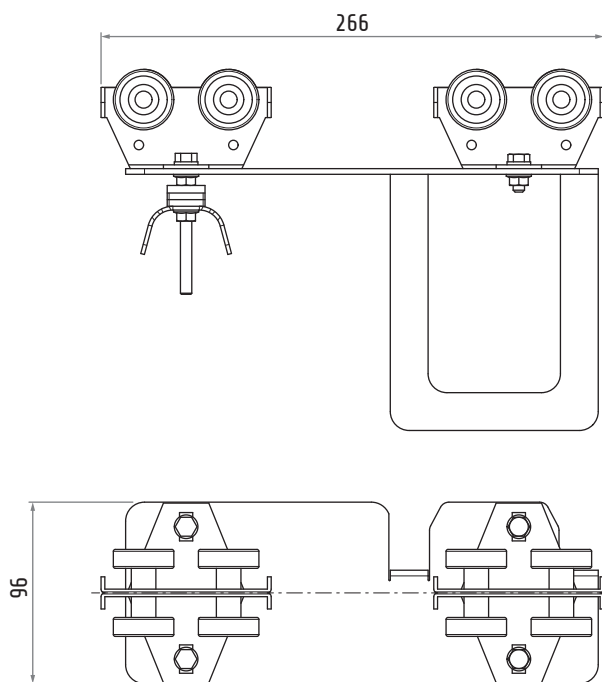


Material	body	nylon
	hardware	galvanized steel
Weight		~195 g
Saddle		76 mm
Excursion		30 mm



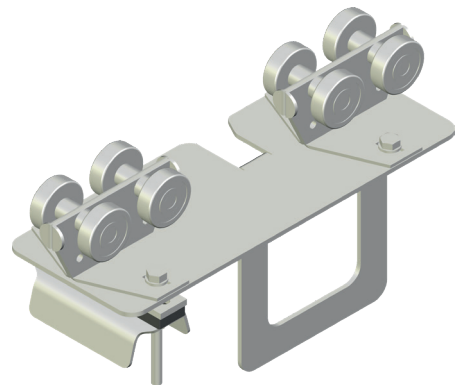
30602020

TROLLEY WITHOUT PLUG / SOCKET



Dimensions in mm / illustrations NOT in scale

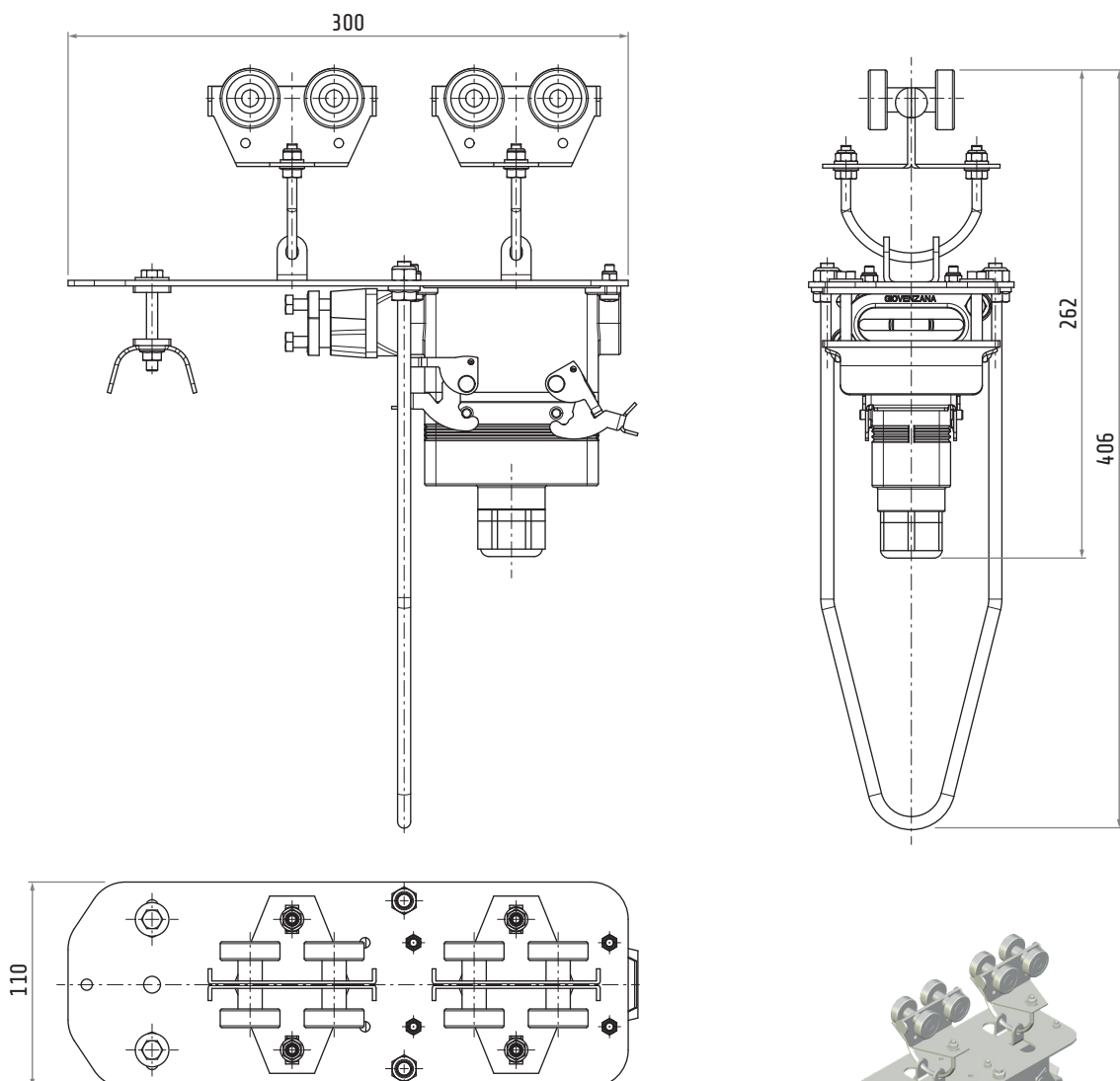
Material	body hardware rollers separator	galvanized steel galvanized steel covered ball bearings thermoplastic
Weight		~1.8 kg
Saddle		68 mm
Excursion		30 mm





30602041

TROLLEY WITH 16 POLES SOCKET

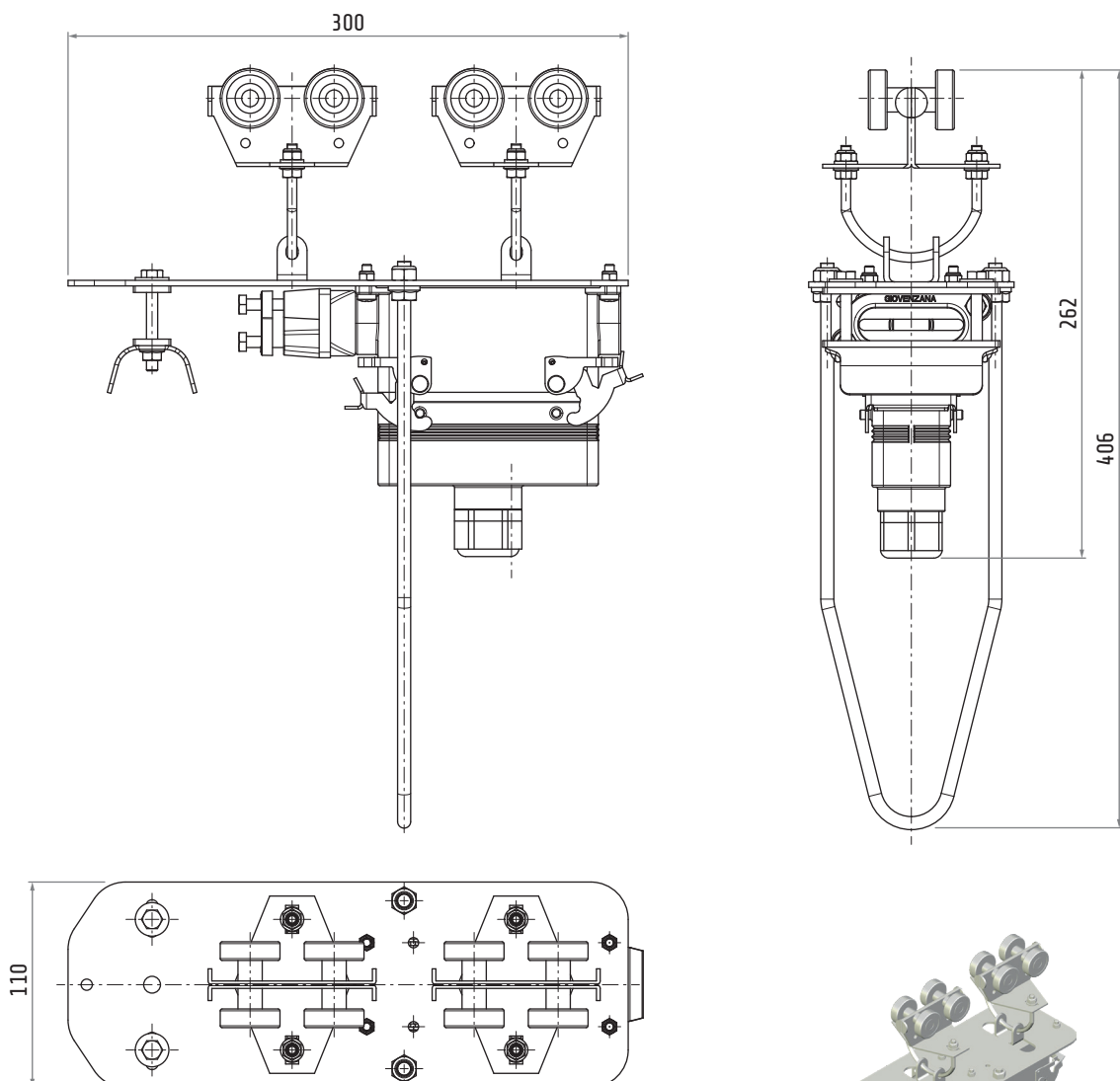


Dimensions in mm / illustrations NOT in scale

Material	body hardware rollers separator	galvanized steel galvanized steel covered ball bearings thermoplastic
Weight		~2.75 kg
Saddle		68 mm
Excursion		30 mm

30602042

TROLLEY WITH 24 POLES SOCKET

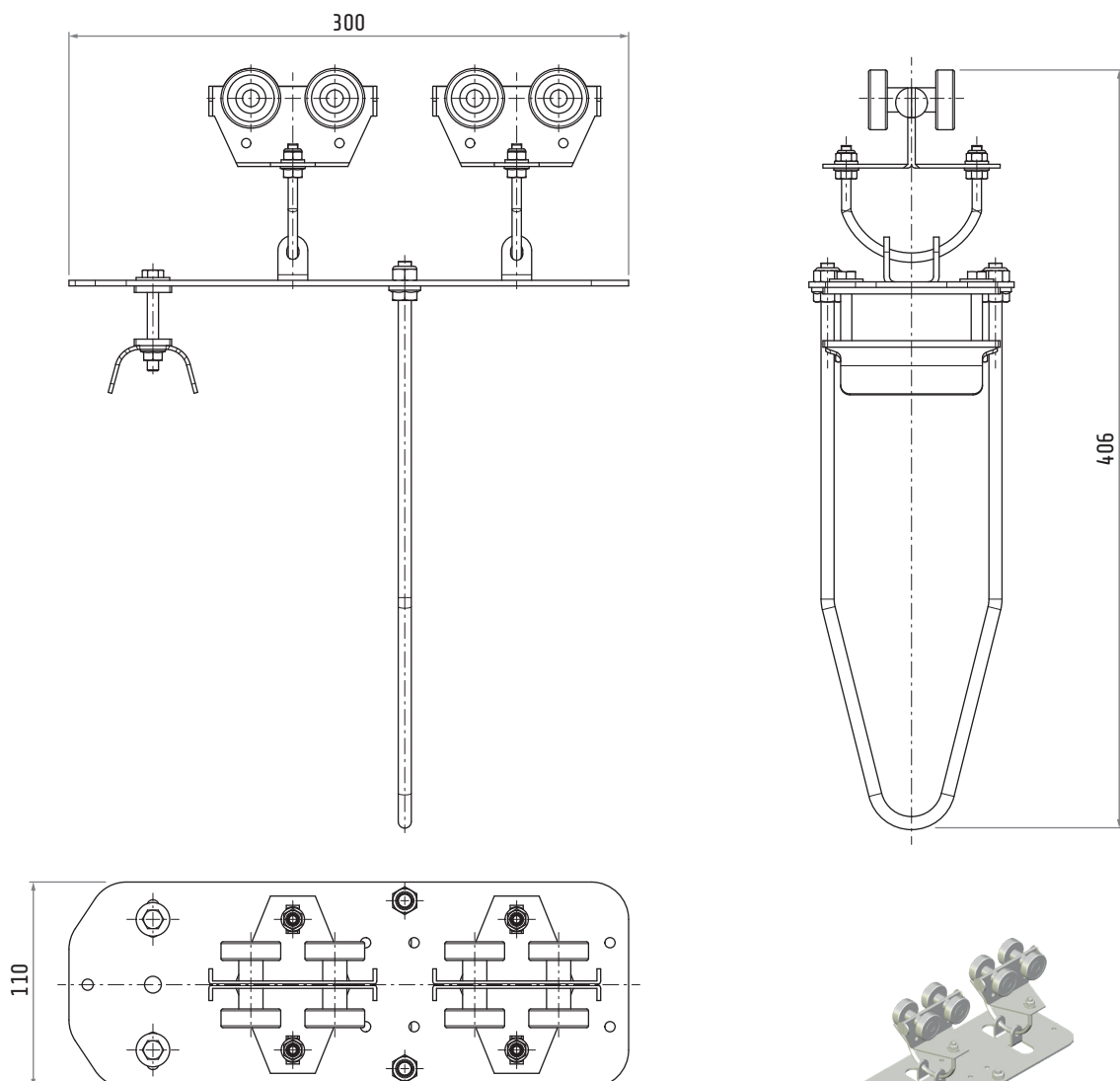


Dimensions in mm / illustrations NOT in scale

Material	body hardware rollers separator	galvanized steel galvanized steel covered ball bearings thermoplastic
Weight		~2.9 kg
Saddle		68 mm
Excursion		30 mm

30602043

TROLLEY WITHOUT PLUG / SOCKET



Dimensions in mm / illustrations NOT in scale

Material	body hardware rollers separator	galvanized steel galvanized steel covered ball bearings thermoplastic
Weight		~2 kg
Saddle		68 mm
Excursion		30 mm

ABACUS

